



## USB-Wireless Adapter

As an option, the CFT3003 is available in an enclosure without the BDM connector.

### Contact:

Crossfield Technology  
 4505 Spicewood Springs Road, Suite 360  
 Austin, Texas 78759-8540  
 512-795-0220  
 info@crossfieldtech.com  
 www.crossfieldtech.com

### Features

- IEEE 802.15.4 ZigBee™ wireless networking
- On-board antenna
- HCS08 microcontroller with 60 KB Flash and 4 KB RAM
- Three low-power modes
- Powered through Type A USB interface

### Applications

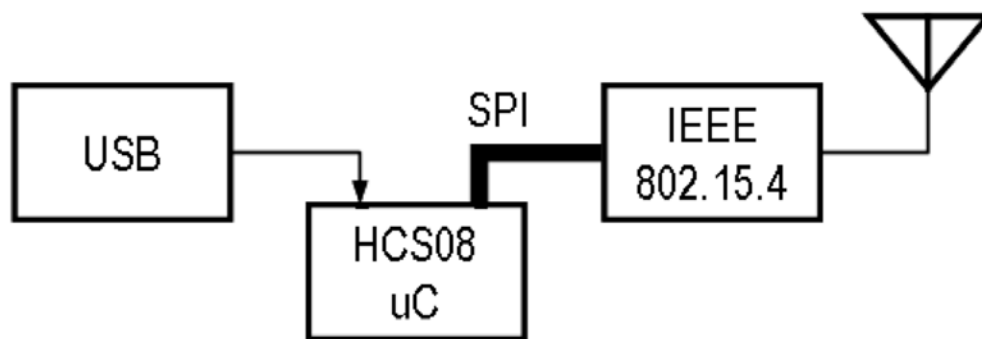
- IEEE 802.15.4 ZigBee™ data collection
- Wireless network control

### Description

Crossfield's CFT3003 USB Wireless Adapter provides an easy to implement, low power solution for system integrators that need to add wireless sensor networking capability to their specialty sensors.

The CFT3003 is controlled by a Freescale HCS08 microcontroller with a watchdog timer. The MCU provides 4 KB of random access memory and 60 KB of flash memory. The flash memory can be locked with block protection to prevent readout or inspection. Three low power states are provided including Wait, Stop2 and Stop3. The CFT3003 provides in-circuit programmability through the HCS08 BDM interface.

The CFT3003 supports wireless connectivity using a fully compliant IEEE 802.15.4 transceiver that provides 250 Kbps O-QPSK modulation across 16 channels in the 2.45 GHz ISM band. The transceiver is connected to the microcontroller and an on-board chip antenna. The IEEE 802.15.4 transceiver is ZigBee™ compliant.



CFT3003 Functionality

**IMPORTANT NOTICE**

---

Crossfield Technology (Crossfield) reserves the right to make corrections, modifications, enhancements, improvements, and other changes to its products and services at any time and to discontinue any product or service without notice. Customers should obtain the latest relevant information before placing orders and should verify that such information is current and complete. All products are sold subject to Crossfield's terms and conditions of sale supplied at the time of order acknowledgment.

Crossfield warrants performance of its products to the specifications applicable at the time of sale in accordance with Crossfield's standard warranty. Testing and other quality control techniques are used to the extent Crossfield deems necessary to support this warranty. Except where mandated by government requirements, testing of all parameters of each product is not necessarily performed.

Crossfield assumes no liability for application assistance or customer product design. Customers are responsible for their products and applications which may use Crossfield developed products. To minimize any risks associated with customer products and applications, customers should provide adequate design and operating safeguards.

Crossfield does not warrant or represent that any license, either express or implied, is granted under any Crossfield patent right, copyright, mask work right, or other Crossfield intellectual property right relating to any combination, machine, or process in which Crossfield products or services are used. Information published by Crossfield regarding third-party products or services does not constitute a license from Crossfield to use such products or services or a warranty or endorsement thereof. Use of such information may require a license from a third party under the patents or other intellectual property of the third party, or a license from Crossfield under the patents or other intellectual property of Crossfield.

Reproduction of information in Crossfield data sheets is permissible only if reproduction is without alteration and is accompanied by all associated warranties, conditions, limitations, and notices. Reproduction of this information with alteration is an unfair and deceptive business practice. Crossfield is not responsible or liable for such altered documentation.

Resale of Crossfield products or services with statements different from or beyond the parameters stated by Crossfield for that product or service voids all express and any implied warranties for the associated Crossfield product or service and is an unfair and deceptive business practice. Crossfield is not responsible or liable for any such statements.